

Hygienic Design Bourdon Tube Pressure Gauges

**Weld connection piece for Diaphragm Seal
Case and Bayonet Ring Stainless Steel
Standard (RCh 100-3v) or Liquid Filled (RChG 100-3v)**

Models
RCh 100-3v
RChG 100-3v

Application

Hygienic design pressure gauges with Bourdon tube were developed for direct welding to a diaphragm seal for hygienic/aseptic applications, where high process and/or cleaning temperatures require an outstanding high-grade sealing of the measuring system (CIP/SIP procedures in food industry, biotechnics, and pharmacy).

In data sheet 7303 you will find the selection of diaphragm seals in hygienic design that are to be welded to these Bourdon tube pressure gauges.

Nominal Case Size (NCS)

100 (4")

Accuracy Class (EN 837-1)

1.0

Pressure Ranges (EN 837-1)

0-0.6 to 0-40 bar and 0-10 psi to 0-600 psi
also corresponding vacuum and vacuum/pressure compound ranges

Endurance Limitations

Steady pressure: Full scale value
Cyclic pressure: 90% of full scale value
Overpressure: 130% of full scale value

Protection Type (EN 60 529 / IEC 529)

Model RCh 100-3v = IP 54 / Model RChG 100-3v = IP 65

Further information about advantages, applications, specifications, temperature limitations and pressure ranges of Bourdon tube pressure gauges, accuracy classes 1.0 and 1.6 according to EN, can be found in our model overview 1000.



Standard Configuration

Process Connection

Bottom weld connection piece stainless steel 316 Ti (1.4571) welded to the case; for welding to diaphragm seal according to data sheet 7303

Bourdon Tube

316 Ti (1.4571), C-form, argon arc welded

Movement

Stainless steel

Dial

Aluminum alloy, black figures, white background

Pointer

Aluminum black

Case and Ring

304 stainless steel (1.4301)

Window

Laminated safety glass

Case Filling

Model RChG 100-3v only: Glycerine

Safety Features

RCh 100-3v: Blow-out plug

RChG 100-3v: Blow-out plug with turn fastener at the top of the case

Special Configurations et. al.

- Special scales, e. g. dual scales, special units or fine division (with knife-edge pointer) etc.
- Stationary red pointer on the dial
- Electrical accessories upon request

How to Order:

Model

(incl. nominal case size, wetted materials, case configuration):

RCh 100-3v
RChG 100-3v

Pressure range:

according to EN 837-1
between **0-0.6 bar** and **0-40 bar**
(compare model overview 1000)

Special options:

(see above)

Example:

RCh 100-3v, 0-6 bar, MDM

▶ only available with hygienic design diaphragm seal; ordering information for diaphragm seal see data sheet 7303



ARMATURENBAU GmbH

Manometerstraße 5 • D-46487 Wesel - Ginderich
Phone: (0 28 03) 91 30-0 • Fax: (0 28 03) 10 35
armaturenbau.com • mail@armaturenbau.com



Subsidiary Company and Sales East Germany and Eastern Europe

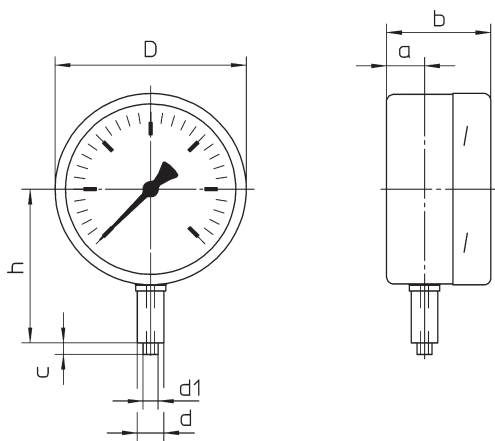
MANOTHERM Beierfeld GmbH I-1903

Am Gewerbestraße 9 • D-08344 Grünhain-Beierfeld
Phone: (0 37 74) 58-0 • Fax: (0 37 74) 58-545
manotherm.com • mail@manotherm.com

7/06

Case Configuration, Dimensions and Weight

Bottom weld process connection piece,
welded to the case,
Ordering code: **v**



Dimensions (mm / inches) and Weight (kg / lb)

NCS	a	b	c	D	d	d1	h	Weight (approx.)	
								RCh 100-3v	RChG 100-3v
100	20	55	5	101	14	8	81	.45	.8
4"	.79	2.17	.2	3.98	.55	.31	3.19	.99	1.76

The information in this leaflet is given in good faith, but we reserve the right to make changes without notice.