

# Pressure Gauges for Fire Extinguishing Pumps

In Accordance with DIN 14421

With Vertical Diaphragm

Model **PsP 80**

## Application

These diaphragm pressure gauges are designed especially for applications at fire extinguishing pumps and comply with DIN 14421.

## Nominal Case Size (NCS)

80 (3")

## Pressure Ranges

0-25 bar or  
-1/+ 25 bar, zero at 12 o'clock

## Accuracy Class (DIN 14421/EN 837-3)

2.5

## Pressure Limitations

Steady pressure: full scale value  
Cyclic pressure: 90 % of the full scale value  
Overpressure: max. 130 % of the full scale value

## Temperature Limitations

Storage temperature: -40 to +70 °C (-40 to +158 °F)  
Ambient temperature: -20 to +60 °C (-4 to +140 °F)  
Medium temperature: max. +60 °C (+140 °F)

## Temperature Caused Error

The accuracy error caused by media or ambient temperatures differing from +20 °C (+68° F) is significant. In accordance with EN 837-3 it may be up to .8 % f.s. per each 10 °C (18°F).

## Protection Type (EN 60529 / IEC 529)

IP 54

## Standard Configuration

### Connection

M 20 x 1.5 center back connection (rm) brass

### Diaphragm

CuBe

### Lower Half

Brass

### O-ring

NBR (nitrile rubber)

### Movement

Brass/German silver

### Dial

Aluminum alloy, white background,  
scale -1-0 bar red, 0-25 bar black

### Pointer

Aluminum black

### Bezel

Stainless steel, polished

### Window

Acrylic glass



PsP 80-1, rmFr

## Optional Special Configurations

- Process connection G ½ B (½" BSP) or ½" NPT, others upon request
- Inlet port restrictor screw
- Lower part made of aluminum
- Wetted parts stainless steel upon request
- Laminated safety glass window or single strength glass
- Stainless steel case NCS 80 with crimped-on ring, model **PsPChg 80-1 rm**, optionally with front mounting flange (**rmFr**) or U-clamp for panel mounting (**rmBFr**)
- Stainless steel case NCS 100 (4") with crimped-on ring, model **PsPChg 100-1 rm**
- Glycerine filled case stainless steel, with crimped-on ring only, for vertical mounting only, models **PsPChgG 80-1 rm**, **rmFr** or **rmBFr**, and model **PsPChgG 100-1 rm** upon request

## How to Order:

Model code: **PsP 80**

Ordering code for material of wetted parts: **- 1** (= copper alloy)

Code letters for case configuration: **rm, rmFr, rmBFr**, (compare overleaf)

Pressure range: **0-25 bar or -1/+25 bar**

Process connection: **M 20 x 1.5** (= Standard)  
**G ½ B** (½" BSP) or others (see above)

Special configuration: (see above)

### Examples for Ordering Information:

- PsP 80-1 rmFr, 0-25 bar, M 20 x 1.5
- PsP 80-1 rm, -1/+25 bar, G ½ B



**ARMATURENBAU GmbH**

Manometerstraße 5 • D-46487 Wesel - Ginderich  
Phone: (0 28 03) 9130-0 • Fax: (0 28 03) 10 35  
armaturenbau.com • mail@armaturenbau.com



Subsidiary Company and Sales East Germany and Eastern Europe

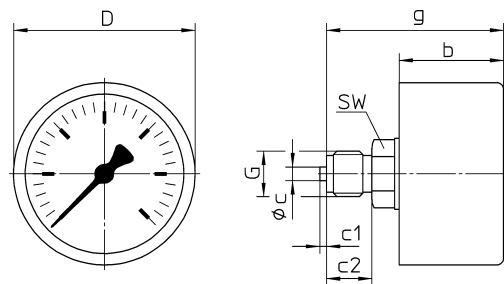
**MANOTHERM Beierfeld GmbH 4103**

Am Gewerbepark 9 • D-08344 Grünhain-Beierfeld  
Phone: (0 37 74) 58-0 • Fax: (0 37 74) 58-545  
manotherm.com • mail@manotherm.com

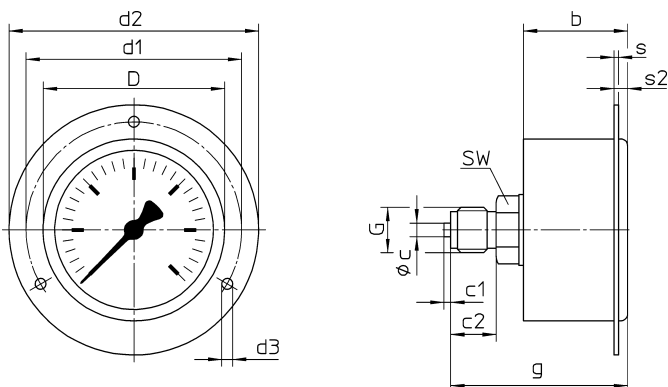
**6/06**

# Case Configurations, Code Letters, Dimensional Data and Weight

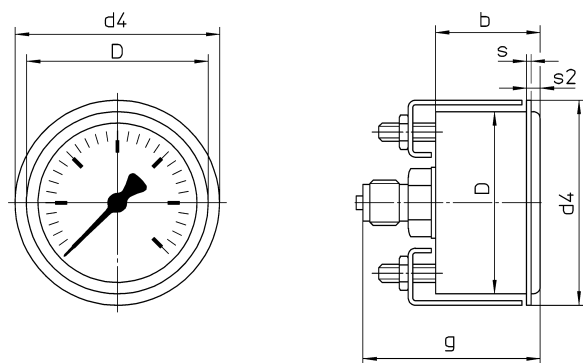
Center back connection,  
code letters: **rm**



Center back connection,  
front mounting flange,  
code letters: **rmFr**



Center back connection,  
U-clamp for panel mounting,  
code letters: **rmBFr**



## Dimensions ( mm / inches ) and Weight ( kg / lb )

NCS	b	c	c1	c2	D	d1	d2	d3	d4	g	G	s	s2	SW	Weight (approx.)
80 3"	46 1.81	6 .24	3 .12	20 .79	80 3.14	95 3.74	110 4.33	4.8 .19	90 3.54	78 3.07	M 20 x 1,5 optionally G 1/2 B 1/2" BSP	2 .08	6 .24	27 1.06	0.65 1.43

The information in this leaflet is given in good faith, but we reserve the right to make changes without notice.