

# Flushing Rings

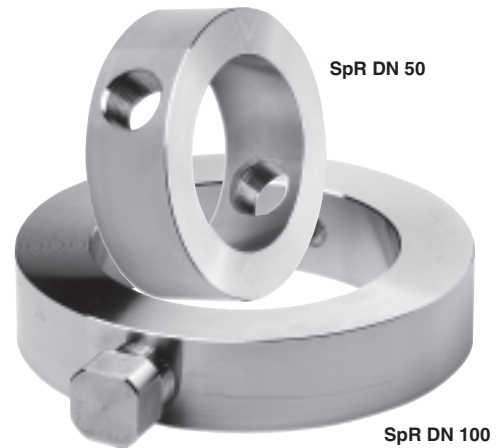
for Flange Type Diaphragm Seals  
and Cellular Type (Pancake) Diaphragm Seals

Model **SpR**

## Application

Flushing rings for flange type and cellular type chemical seals (compare data sheets 7500 and 7505) can be mounted between the process connection and the diaphragm seal for flushing or venting the space in front of the membrane of the diaphragm seal.

The two flushing ports allow to wash out particles accumulated in front of the membrane, and the pressure space can be vented.



## Standard Configuration

### Body

316 stainless steel (1.4571)

### Flushing Connections

2 x 1/2" NPT

### Plug Screws

2 x 1/2" NPT, 316 stainless steel (1.4571)  
for the flushing connections

### Process Connection

DN 50, 80, 100, PN 16 ... 400, for  
flanges according to DIN EN 1092-1 with sealing face B1, and  
for flanges according to the former DIN 2526 with sealing face  
form D;

DN 2", 3", 4", PN 150 ... 2500 lb/sq.in, for flanges according to  
ASME with sealing face ASME B 16.5 RF

### Sealing

For a proper functioning it is very important to use only the  
suitable sealings. The sealings are not part of our standard  
supply.

### Dimensional Drawing

See overleaf

Further details about advantages and performances of chemical  
seals and important explanations about the required ordering  
information are on general information leaflet 7000, where you  
will also find an overview of other chemical seal models.

## Special Options

- Other nominal sizes upon request
- Other sealing faces, e.g. form B2 acc. EN 1092-1 for PN 63 or PN 100, or sealing face Form E acc. to the former DIN 2526 (up to PN 400) upon request
- Tongue or groove DIN 2512, RJF-groove ASME B 16.5 and others upon request
- Other materials, e.g. stainless steel 1.4435 or 1.4539, Hastelloy B2, C4 or C276, Monel metal, nickel or titanium
- Other flushing connections e.g. female connection 1/4" NPT, 1/2" BSP, 1/4" BSP, male connection (adapter) 1/2" NPT, 1/4" NPT, 1/2" BSP, 1/4" BSP, others upon request

### How to Order:

Model:	<b>SpR</b>
Material:	<b>316 st.st.</b> (1.4571)
Flushing connection:	1/2" NPT = standard, others see above
Process connection:	DN 50, DN 80 or DN 100,  ASME 2", 3" or 4"
Special options:	see above



**ARMATURENBAU GmbH**

Manometerstraße 5 • D-46487 Wesel - Ginderich  
Phone: (0 28 03) 91 30 - 0 • Fax: (0 28 03) 10 35  
armaturenbau.com • mail@armaturenbau.com



Subsidiary Company and Sales East Germany and Eastern Europe

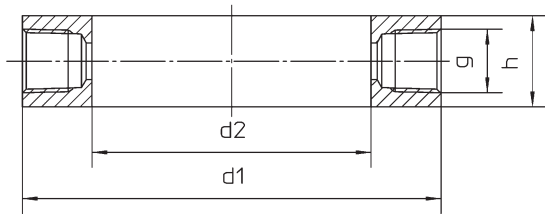
**MANOTHERM Beierfeld GmbH**

Am Gewerbepark 9 • D-08340 Beierfeld  
Phone: (0 37 74) 58 - 0 • Fax: (0 37 74) 58 - 545  
manotherm.com • mail@manotherm.com

**7001**

**8/03**

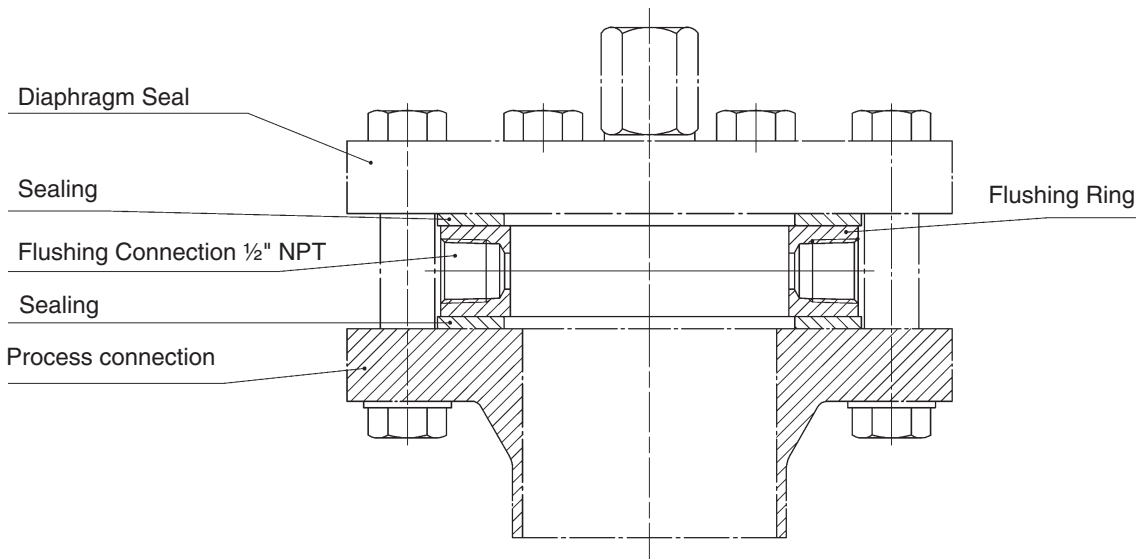
## Dimensional Data and Weight



### Dimensions (mm / inches) and Weight (kg / lb)

Connections for flanges according to DIN EN 1092-1, sealing face form B1, and former DIN 2526, sealing face form D						
DN	PN	d1	d2	g	h	Weight (approx.)
50	16 ... 400 bar	102 <b>4.02</b>	62 <b>2.44</b>	½" NPT	30 <b>1.18</b>	1.10 <b>2.40</b>
80		138 <b>5.43</b>	92 <b>3.62</b>			1.90 <b>4.20</b>
100		162 <b>6.38</b>	92 <b>3.62</b>			3.15 <b>6.90</b>
Connections for flanges according to ASME						
DN	PN	d1	d2	g	h	Weight (approx.)
2"	150 ...2500 lb/sq.in.	92 <b>3.62</b>	62 <b>2.44</b>	½" NPT	30 <b>1.18</b>	0.600 <b>1.30</b>
3"		127 <b>5</b>	92 <b>3.62</b>			1.050 <b>2.30</b>
4"		157 <b>6.18</b>	92 <b>3.62</b>			2.850 <b>6.30</b>

## Mounting Example



The information in this leaflet is given in good faith, but we reserve the right to make changes without notice.