

Check List Differential Pressure Gauges with Chemical Seals

Inquiry No. Ordering No. Name/Company/Address

Application (short description)

Quantity

Pcs.

Pressure measuring instrument / if required: electrical accessories (ordering code resp. description of instrument provided)

Attention please: A mounting device is required for systems with capillary line! Please choose for pressure gauges:

Gauge holder bracket, distance 60 mm 100 mm 160 mm Material aluminum black stainless steel

Front mounting flange

Rear mounting flange

Chemical Seals

Diaphragm seals (MDM) In-line seals (RDM)

Models:

+ Side:

- Side:

Installation to Ex zone 0: No Yes (with Adapt FS acc. data sheet 11001)

Process connections:

PN:

DN:

For RDM :

Suitable for inside tube diameter

mm

For MDM with extension:

Length of extension tube

mm

Medium:

gaseous liquid viscous abrasive

If pressure range is not known: Density ρ g/cm³

Material

wetted parts:

Standard, as in referring data sheet Special material:

Max. differential pressure:

bar

Max. static pressure:

bar

Required overpressure resistance:

On one side

on both sides

bar

Could vacuum occur?

No

Yes, smallest absolute pressure

mbar

at temperature:

°C

Working temp. (t_A):

Medium

°C constant, or min.

°C / max.

°C

Dial inscription t_A = °C (will be calibrated accordingly)

Cleaning temp. (t_R):

At chemical seal max.

°C

/

Duration of cleaning

h

Ambient temp. (t_{UD}):

At measuring instrument

°C constant, or min.

°C / max.

°C

Ambient temp. (t_{UF}):

At capillary line

°C constant, or min.

°C / max.

°C

Outdoor application:

No

Yes

Filling fluid:

Selection suitable for above stated temperatures

Further requirements:

for oxygen

for chlorine

silicone free

food compatible

FDA approved

others:

Continued on page 2



ARMATURENBAU GmbH

Manometerstraße 5 • D-46487 Wesel - Ginderich
Phone: (0 28 03) 9130-0 • Fax: (0 28 03) 10 35
armaturenbau.com • mail@armaturenbau.com



Subsidiary Company and Sales East Germany and Eastern Europe

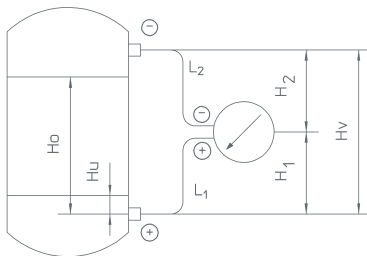
MANOTHERM Beierfeld GmbH

Am Gewerbepark 9 • D-08344 Grünhain-Beierfeld
Phone: (0 37 74) 58-0 • Fax: (0 37 74) 58-545
manotherm.com • mail@manotherm.com

Certificates:	No <input type="checkbox"/>	3.1 for wetted parts <input type="checkbox"/>	others:
Accessories:	(e.g. process connection pieces, flushing rings etc.)		
Mounting:	According to drawing no.:		
	Length of capillary line: L_1 +side = L_2 -side:	m	$L_1 \neq L_2$ upon request only: $L_1 =$ m $L_2 =$ m
	Special options capillary line:		
	Height difference:	H_1 +side	m H_2 -side m
	Level height:	H_u min.:	m H_o max: m
	Distance of connection pieces:	H_v :	m

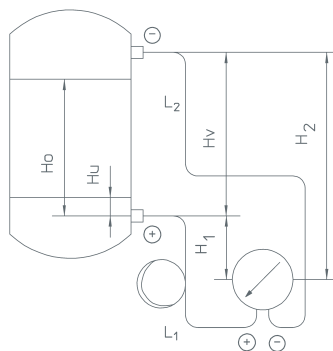
Level Measurement

Drawing 22



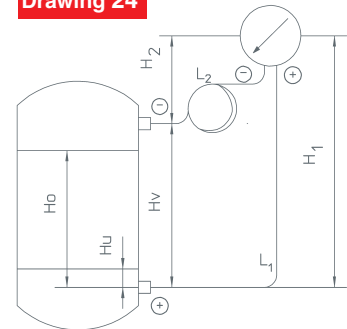
Measuring instrument in center position between connection pieces

Drawing 23



Measuring instrument below lower connection piece

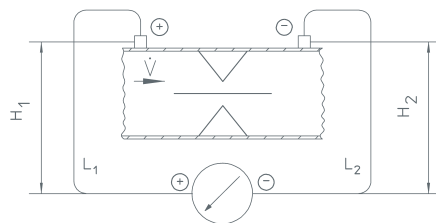
Drawing 24



Measuring instrument above upper connection piece

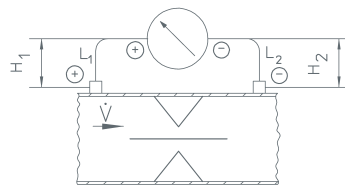
Flow Measurement

Drawing 25



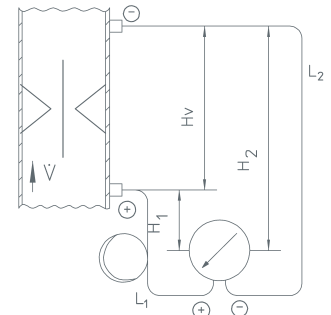
Horizontal flow measurement, measuring instrument below pipeline

Drawing 26



Horizontal flow measurement, measuring instrument above pipeline

Drawing 27



Vertical flow measurement, measuring instrument below lower connection piece

Important Notes for Mounting with Capillary Line

➔ If **vacuum** occurs or possibly could occur, the pressure measuring instrument has to be mounted at least 40 cm below the chemical seal (Mounting acc. to drawing 23 or 27 only!)

➔ A mounting device for the pressure measuring instrument is required (compare page 1, top part).

➔ H_1 max. height 7m for oil filling

H_1 max. height 4m for halocarbon oil filling

Specifics: